

# Installation instruction



## Cubica Light System Starter Kit BASIS + PREMIUM

For the installation you need:



skirting  
scissors



screwdriver



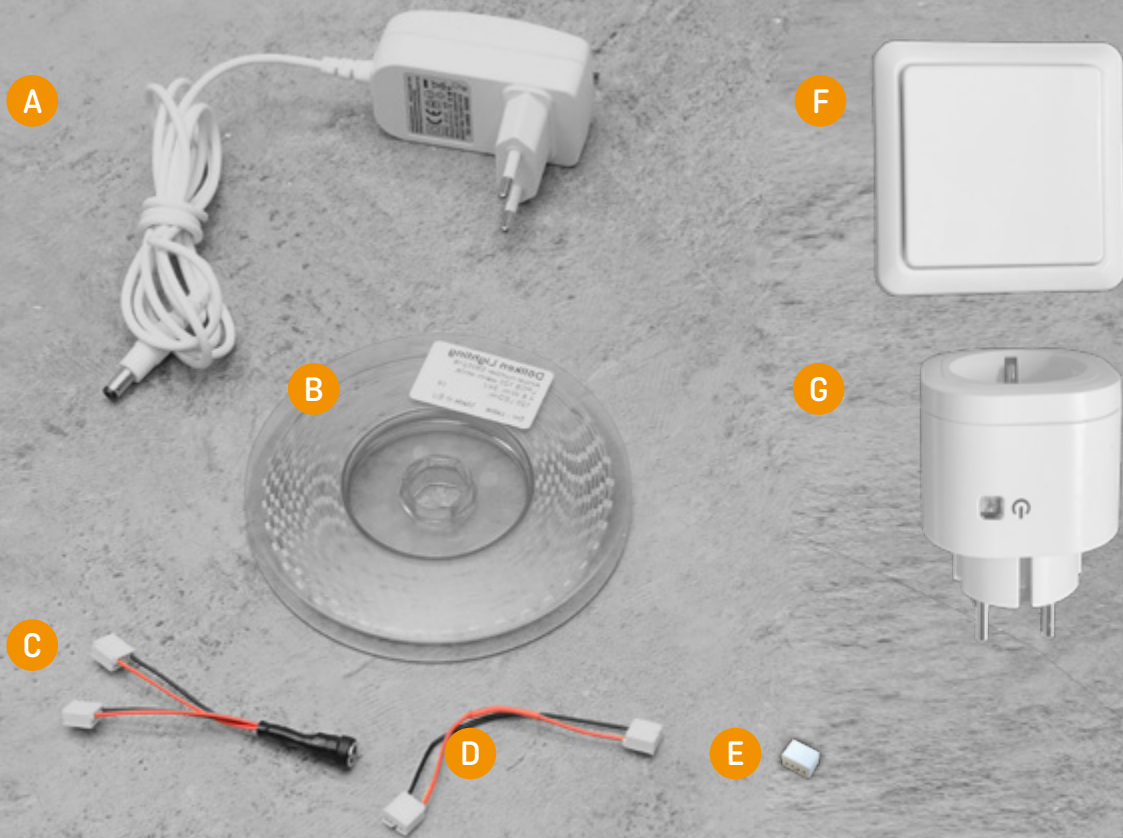
Side cutters or  
electrician's pliers



**Döllken**  
Profiles

we create.  
we innovate.

SURTECO GROUP



# Cubica Light System

## Mounting of the Starter Kits BASIC und PREMIUM



Plug &  
Play



Smart-Home-  
ready

The LED starter kit is available in two variants:

### BASIC

- A** Power supply unit (transformer for 230 V socket)
- B** LED strip (5 m)
- C** DC-Y connecting cable
- D** Strip-to-strip connector with a cable
- E** Strip-to-strip connector

### PREMIUM

- A** Power supply unit (transformer for 230 V socket)
- B** LED strip (5 m)
- C** DC-Y connecting cable
- D** Strip-to-strip connector with a cable
- E** Strip-to-strip connector
- F** Wireless switch including battery (CR2032)
- G** Radio connector



There are separate instructions for the assembly of the base and cover profiles. These can be found online at [licht-sockelleiste.de](http://licht-sockelleiste.de), in the app or in our download centre on our homepage.



## How to use

- Light system for the “Cubica Light System” skirting board

## Notes regarding the LED strip

- Use the unprotected conductor film exclusively for installation into the skirting board
- Not suited for moist rooms
- LED strip is provided with self-adhesive coating

## Procedure for mounting the LED strip

**PLEASE NOTE: Each 5 m LED strip requires one power supply unit! Before the LED strip is glued in place, a functional test should be performed!**

- 1** When implementing the connection, observe the following: Before carrying out the installation, remove approx. 2 cm of protective film from the LED strip of the fixation strip applied and connect it to the PTF plug (strip-to-strip connector) in order to perform a functional test.

### Application scenarios during the installation:

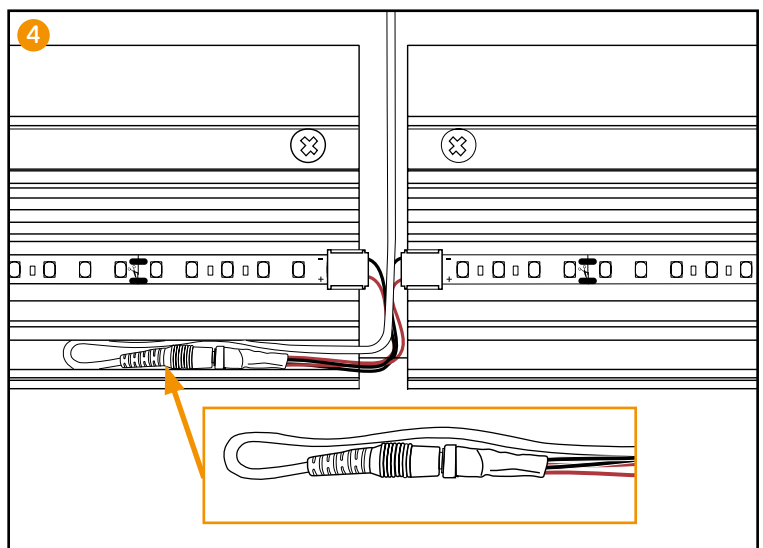
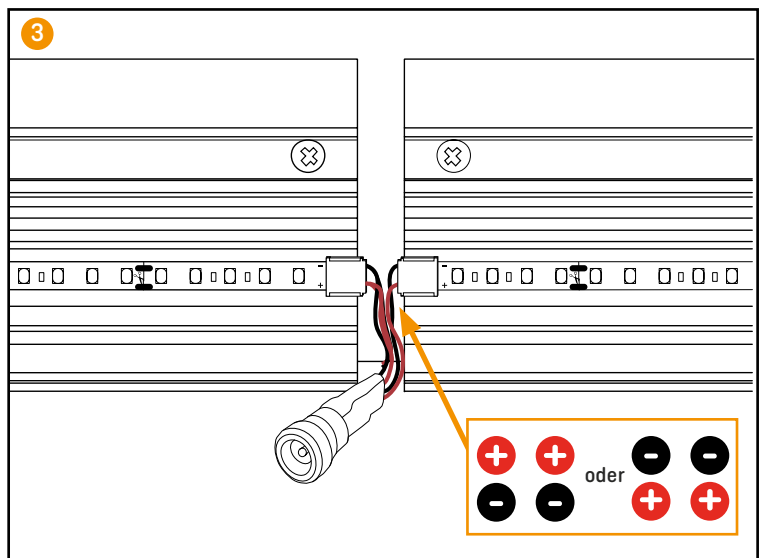
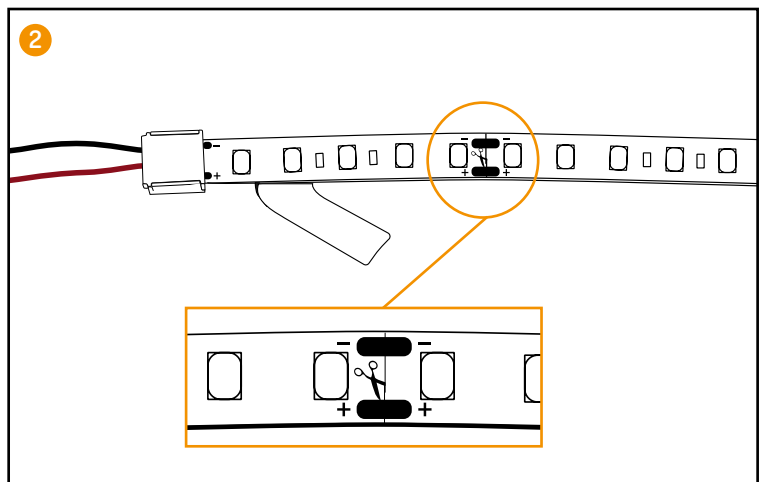
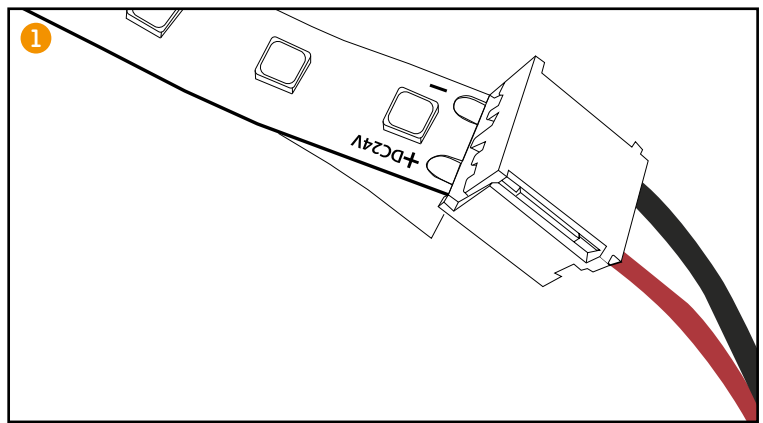
- The cable connection is next to the strip (the socket is located in the corner of the room)
- The cable connection is in the centre (the socket is located between two profiles)
- Starting in the position provided (base profile recess 1 cm), the LED strip is glued evenly into the base profile using the fixation strip

Ensure that the LED strip is laid evenly and loosely in the area of outside and inside corners. It must not be bent or drawn (see bending radius in the “General installation instructions”).

- 2** Cut the LED strip to length on the marking using side cutters or electrician’s pliers (possible every 5 cm) - **PLEASE NOTE: only cut on the marking provided, otherwise the 5 cm segment is no longer functional!**
  - 3** When the second LED strip is glued in place, ensure that plus (+) and minus (-) are lying parallel to the first strip. The following applies: red = “+ (plus)” ; black = “- (minus)”
  - 4** Connect the DC-Y connecting cable with the power supply plug and place it in the lower part of the base profile
- Perform another functional test before mounting the cover profile

### Connection of the LED strip

- The starter kits are only intended for a total length of 5 m of LED strip
- For every 5 m of LED strip one transformer (mains plug) is required
- For profile interruptions, use the strip-to-strip connectors enclosed. For this purpose, plug the PTF plug (strip-to-strip connector) together with the end of the LED strip and then connect the second PTF plug (strip-to-strip connector) with the start of the next LED strip.

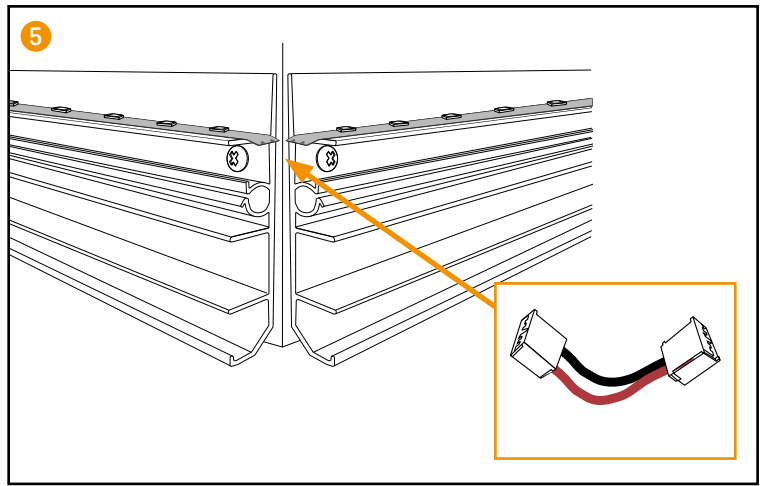


### Connection with the strip-to-strip connectors

- Strip-to-strip connectors with a cable (D) can be used in the installation process for connecting LED strip segments around a corner or with each other if there are interruptions in the skirting boards

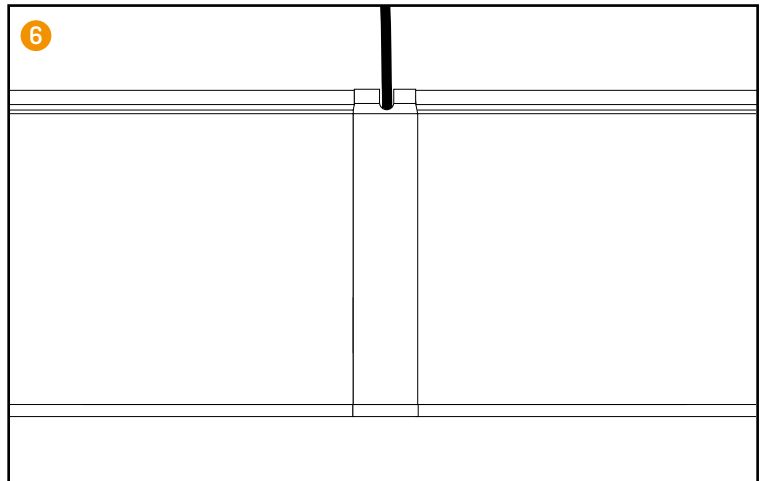
#### 5 Special case "Cubica LS Light up":

- To connect the LED strip segments around a corner in the installation process, a strip-to-strip connector with a cable (D) is required
- Strip-to-strip connectors without a cable (E) can be used to continue LED strip segments in order to establish a seamless connection



#### 6 Mounting the cover profile

- Notes for mounting the cover profile can be found in the "Cubica Light System (base and cover profile)" processing instructions or at [licht-sockelleiste.de](http://licht-sockelleiste.de).



### Manual for the radio switch (starter kit - PREMIUM)

Easy, dust-free installation in a matter of seconds on glass, wood, tiles, wallpapers, etc.

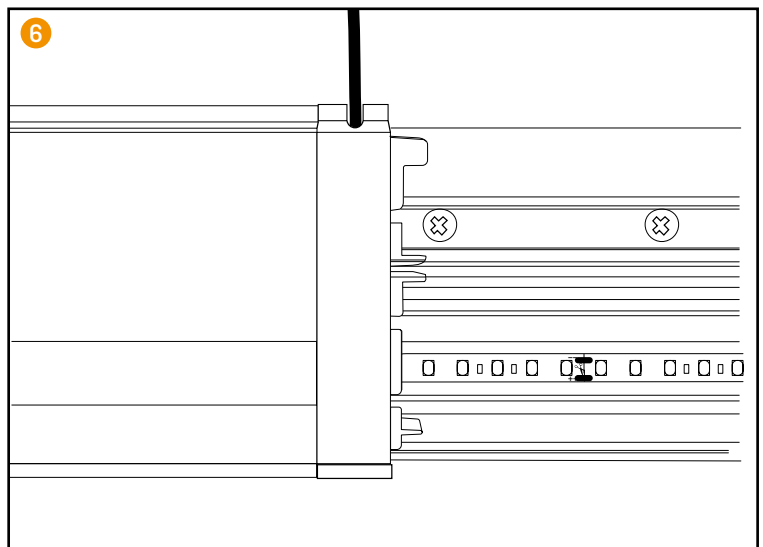
Frequency 433 MHz, cable length reduction of up to 30 m, incl. 3-volt battery CR2032 sufficient for approx. 20,000 switching operations (service life approx. 3 years)

- The radio wall-mounted transmitter can be used for all self-learning types of radio receivers

- 7 For switching on/off, dimming, blind control and garage door control, etc.
- 2 random codes of 67 million possible codes are provided to ensure high security

#### Coding

- To adapt the coding, please also read the instructions for your self-learning radio receiver
- Bring the radio wall-mounted sensor near the radio receiver. Press the teach-in button of the receiver (the LED blinks). Press the desired On button on the transmitter. The radio receiver will switch twice and in this way indicates that the new transmitter has been saved. Now a further receiver can be saved. To delete the coding, proceed as described above, however, press the Off button now instead.



#### 8 Mounting

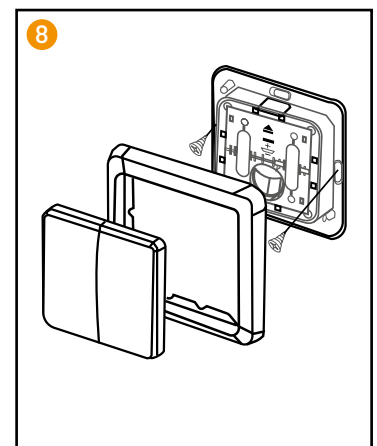
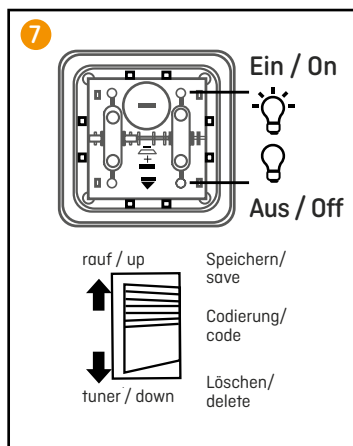
- Even on glass, wood, wallpapers or tiles — easy to mount using screws or double-sided tape

#### Battery change

- 3 V CR2032 sufficient for approx. 20,000 switching operations (service life approx. 3 years)

#### How to prevent faults:

- Avoid metallic shielding. External transmitters such as radio headsets may disrupt the operation.



## If the LED strip is not lit before or after the installation, please check ...

... whether the LED strip has contact with itself (i.e. whether it is twisted) or with another metallic (conductive) surface (short circuit)

... whether the power supply unit is plugged in (into a functioning socket; in the case of socket strips with a switch: check whether the switch is switched on) and check whether the power supply unit is connected with the connecting cable (DC-Y cable)

... whether the plug of the DC-Y cable (PTF) is properly connected with the LED strip

Check whether ...

- the side with the black wire is applied to the contact that is labelled with [-] "minus" on the strip. Correspondingly red wire on plus [+24V].
- the PTF plug is turned to the right side. The strip can be connected at the top and bottom, in order to be able to switch the polarity (see item 1). The PTF plug is provided with contacts on the "thicker" side, i.e. if the plug has to be turned, you might have to use the contacts on the bottom side of the LED strip. However, then you'll have to remove the double-sided tape there first.
- the plug has slipped out during the glueing process or while the connection was made. If you squeeze the plug, a mandrel will push through the strip in order to prevent this.

## General installation instructions

Please note the following installation instructions. Non-compliance results in expiry of guarantee claims.

- horizontal bending radius should not be less than  $\geq 200$  mm
- vertical bending radius should not be less than  $\geq 50$  mm
- Do not bend the modules at sharp angles
- Do not twist the strips during the installation
- Do not throw the roll but unwind evenly, but roll out evenly on a horizontal surface
- Avoid bringing force to bear on or tensioning the connections of the strips during installation and secure the wiring to fully exclude this after installation
- Avoid bringing mechanical forces to bear on any part of the product during installation
- Exercise particular care when installing lengths in excess of 1.5 m to prevent damage to the conducting foil or electronic components
- The materials used will allow changes in length of up to  $\pm 2$  mm/m per 10 K temperature difference

Publication of this version shall render all prior versions invalid.

Last update: 22.07.2020

## Safety instructions

- Installation of the products shall be carried out exclusively by suitably qualified electrical technicians and with due regard to these instructions, the technical data sheets and compliant with all national standards and statutory requirements
- Döllken Profiles accepts no liability for damage caused by improper handling during installation or general deployment of the product
- Any unauthorised changes to the products will render relevant certificates and warranty agreements null and void
- Be sure to isolate from mains voltage before installation or servicing
- Ensure that the connection of the connecting cable to mains supply/controller complies with the wiring regulations at your location
- The electronic supply must be in agreement with the given power requirements for the specific module lengths. For individual specifications, please refer to the technical datasheets for the specific product version
- The LED modules should only be operated with SELV controllers carrying the CE mark and complying at least with EN-61347-2-13. The controllers should include the following protection: Short-circuit, overload and over-temperature protection. Ensure that the test mark is that of an independent authorised test institution
- Safe operation is ensured only by electrical connection in parallel. Series connection of the LED modules is expressly not recommended
- Non-symmetric voltage drops may result in serious overloading and the destruction of individual modules
- Prevent electrostatic discharges (ESD) during installation

Batteries and accumulators must not be disposed of in the household waste.

RoHS






## Electrical commissioning

- The specific product data sheet and the specifications by the manufacturers of electronic equipment are binding in terms of the wiring of LED modules to controllers and upstream devices

Do you have questions or problems with the installation?

Have a look at our processing video or call us at:  
+49 3643/ 4170-222.



Döllken Profiles GmbH  
Industriestraße 1  
59199 Bönen  
Follow us on   

T: +49 3643 4170 711  
F: +49 3643 4170 330  
info@doellken-profiles.com  
www.doellken-profiles.com